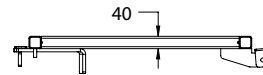
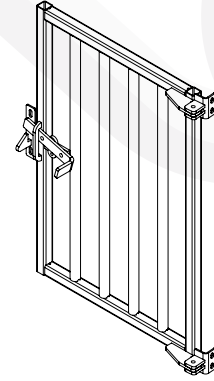
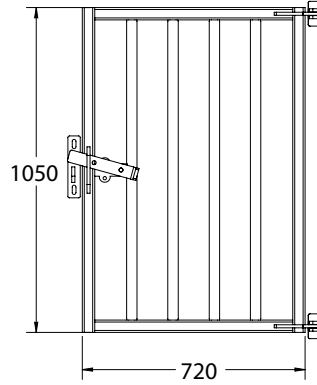


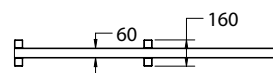
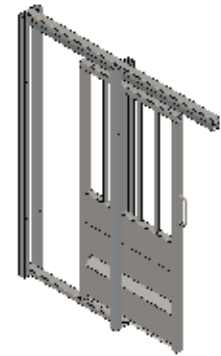
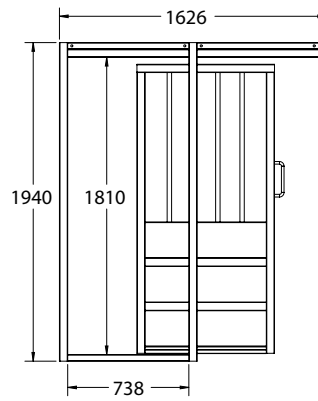


OPTIONAL EXTRAS

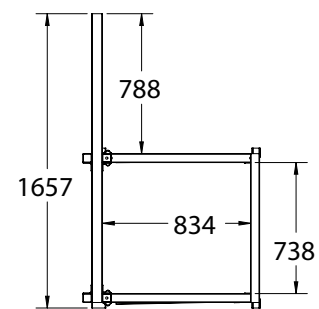
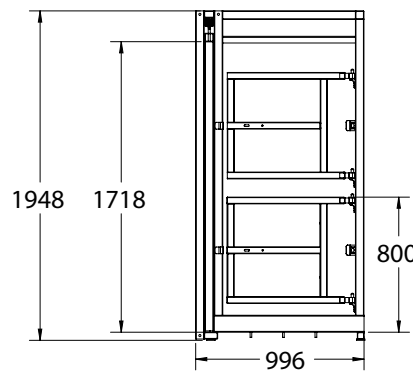
Reversible Rear Gate



Sliding Rear Gate



Veterinary Rear Gate



MODEL	PRODUCT CODE	WEIGHT	INTERNAL WxH (mm)	OVERALL LxWxH (mm)
Reversible Rear Gate	15077	25kg	720 x 1050	40 x 720 x 1050
Sliding Rear Gate	17773	83kg	738 x 1810	60 x 1626 x 1940
Veterinary Rear Gate	17736	196kg	738 x 1718	996 x 1657 x 1948

The above specifications are approximate as our products are under continuous development, so there may be changes and adjustments.



OPTIONAL EXTRAS

Nugent Engineering supplies a range of accessories, to help you get the most out of your cattle handling equipment.

Optional Extras

- Hoof Trimming Kit
- Rear Guide Gates (only for Universal Hoof Tech)
- Rear Hoof Rest
- Head Scoop
- Forklift Points
- 3 Pt Linkage H Frame
- Anti Slip Rubber Mat Floor Covering
- Rump Bar
- Digital Weigh Cells



Hoof Trimming Attachments

Hoof Trimming Kit

Hoof trimming attachments can all be simply bolted on to the range of Cattle Tech Crushes. The attachments comprise of a front belly harness, front belly strap, high level rear leg winch complete with lifting strap, front hoof blocks. The front hoof blocks are equipped with geared ratchet winches for secure controlled lifting and lowering of livestock hooves.

Rear Guide Gates

Foldaway guide gates can be used to guide the animal into the Universal Hoof Tech. The rear gates are only available for the Universal Hoof Tech and are easily removed and detached when required.



Rear Guide Gates

Rear Hoof Rest

An additional rest bar to help with trimming of the hooves is available and can be adjusted to different heights to suit different cattle. The fully foldaway design does not affect the loading of animals into the crush.



Rear Hoof Rest

Head Scoop

The moulded plastic scoop dramatically reduces the available movement of the animal's head, providing greater safety for both animal and operator making it ideal for bolusing, drenching, eye treatment, ear tagging and implants. Available in left or right hand configurations (photo shows left hand set up) it helps reduce the desire to move backwards and to kick out and it fits onto all of the Nugent crushes using a special bracket.



Head Scoop

MODEL	PRODUCT CODE	WEIGHT	OVERALL LxWxH (mm)
Hoof Trimming Kit	17670	40kg	N/A
Rear Guide Gates	18206	14kg	1885 x 30 x 600
Rear Hoof Rest (Universal Hoof Tech)	18361	41kg	890 x 850 x N/A
Rear Hoof Rest (Dairy Hoof Trimmer)	16862	39kg	900 x 810 x N/A
Head Scoop	18300	34kg	1530 x 366 x 420



OPTIONAL EXTRAS



3 Point Linkage H Frame



Forklift points



Anti-Slip Rubber Mat Floor Covering



Rump Bar



Digital Weigh Cells

3 Point Linkage H Frame

A detachable H frame which can be used to securely transport your cattle tech over longer distances. Supplied with rubber bump stops to reduce noise during transportation.

Forklift Points

Designed with ease of use in mind these are a simple method of transporting the Cattle Tech using forklift toes. User can adjust to suit their own forklift width.

Anti Slip Rubber Mat Floor Covering

The 20mm rubber floor is bolted down to the crush and can easily be removed for cleaning.

Rump Bar

The drop down rump bar is friction operated so you only drive the animal forward. If the animal tries to push back the rump bar will not move back up until the operator releases the handle so the operator is always in control.

Digital Weigh Cells

Together with a Nugent Crush the Gallagher SmartScale provides today's performance conscious producer with an innovative weighing system that is not only tough, reliable and accurate but also very simple to use. All of the Nugent Crushes can be fitted with a SmartScale digital weigh cell. The internal rechargeable battery and large easy to read display offers complete simplicity for the operator. The SmartScale is available in 2000kg weighing capacity.

MODEL	PRODUCT CODE	WEIGHT	OVERALL LxWxH (mm)
3pt Linkage H Frame	17938	45kg	300 x 950 x 1875
Forklift Points	18474	2kg	200 x 45 x 100
Rubber Mat Floor Covering (Cattle Tech Universal)	18615	30kg	2000 x 738 x 20
Rubber Mat Floor Covering (Cattle Tech Head Yoke)	18616	35kg	2400 x 738 x 20
Rubber Mat Floor Covering (Universal Hoof Tech)	18617	32kg	2000 x 750 x 20
Rubber Mat Floor Covering (Dairy Hoof Trimmer)	18618	30kg	2150 x 710 x 20
Rump Bar	17923	22kg	253 x 945 x 650
Digital Weigh Cells	17682	45kg	1240 x 170 x 190

The above specifications are approximate as our products are under continuous development, so there may be changes and adjustments.